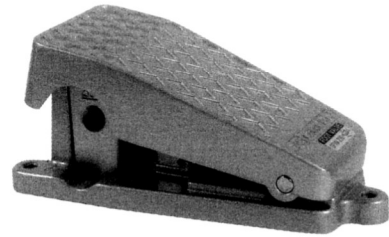
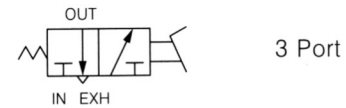
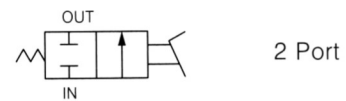


◆ SFVM200 Series



SFVM230-02

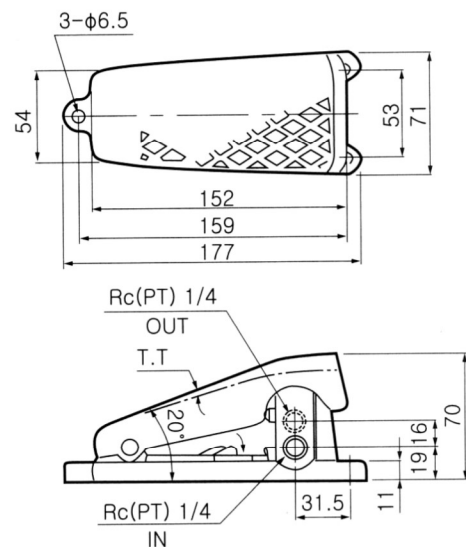
● Symbol



● Specification

Fluid	Compressed Air
Operating pressure	0~0.97MPa [0~9.9 kgf/cm ²]
Ambient temperature	0 ~ 60℃
Effective orifice(Cv)	19 mm ² (1.0)
Recommended lubricator	Unnecessary/ If necessary, Turbin oil (ISO VG32)
Port size	Rc(PT) 1/4
Weight(Standard)	532g

● Dimensions(mm)

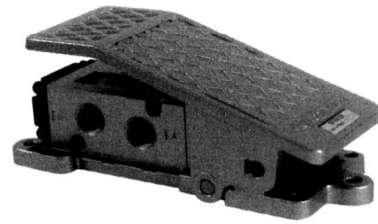


● How to order

SFVM 230-02

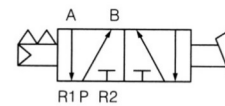
- 1 Foot Valve
- 2 Number of Port
20 - 2 Port
30 - 3 Port
- 3 Port Size
02 - Rc(PT)1/4 "

◆ SFVM250 Series



SFVM250-03

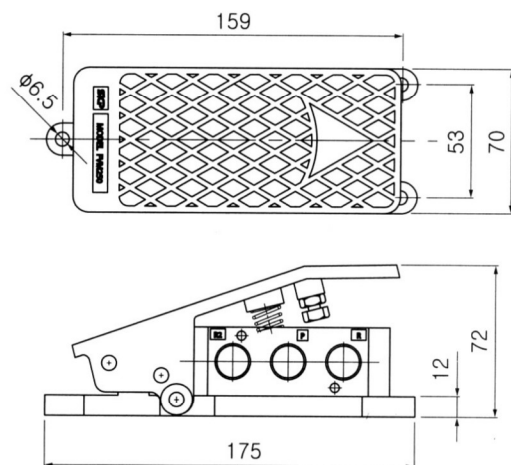
● Symbol



● Specification

Fluid	Compressed Air
Operating pressure	0~0.97MPa [0~9.9 kgf/cm ²]
Ambient temperature	0 ~ 60℃
Effective orifice(Cv)	45 mm ² (2.4)
Recommended lubricator	Unnecessary/ If necessary, Turbin oil (ISO VG32)
Port size	Rc(PT) 1/4, 3/8
Weight	

● Dimensions(mm)



● How to order

SFVM 250-02

- 1 Pilot type Foot Valve
- 2 Number of Port
50 - 5 Port
- 3 Port Size
02 - Rc(PT)1/4 "
03 - Rc(PT)3/8 "